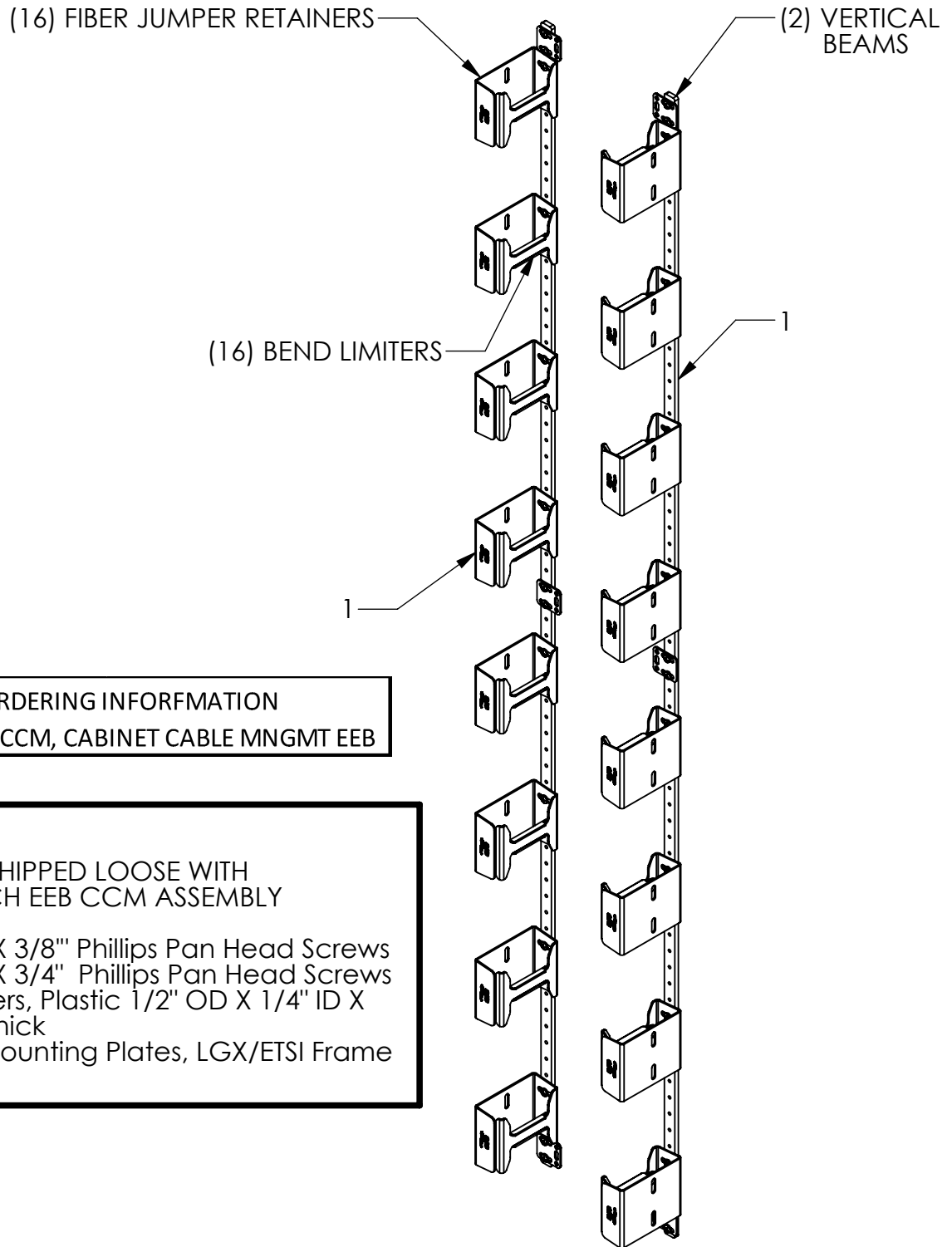


### EEB CCM ASSEMBLY



**ORDERING INFORMATION**  
301081170 CCM, CABINET CABLE MNGMT EEB

**SHIPPED LOOSE WITH EACH EEB CCM ASSEMBLY**

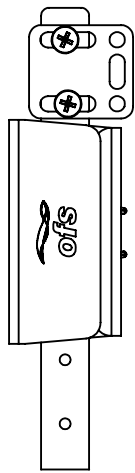
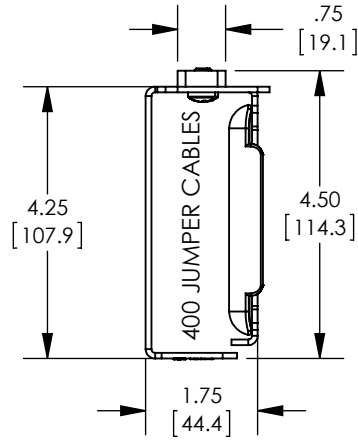
- (8) 12-24 X 3/8" Phillips Pan Head Screws
- (20) 12-24 X 3/4" Phillips Pan Head Screws
- (20) Spacers, Plastic 1/2" OD X 1/4" ID X 1/2" Thick
- (4) Flat Mounting Plates, LGX/ETSI Frame

1. THE ELECTRONIC EQUIPMENT BAY (EEB) CABINET CABLE MANAGEMENT (CCM) IS PROVIDED AS A TWO PIECE ASSEMBLY AS SHOWN. EACH SUBASSEMBLY MAY BE USED AS A LEFT OR RIGHT SUBASSEMBLY AS THEY ARE REVERSIBLE.

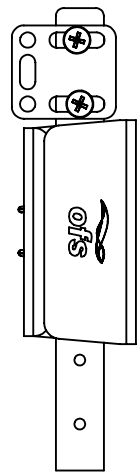
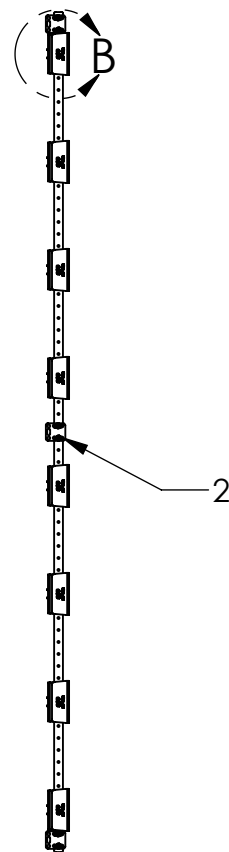
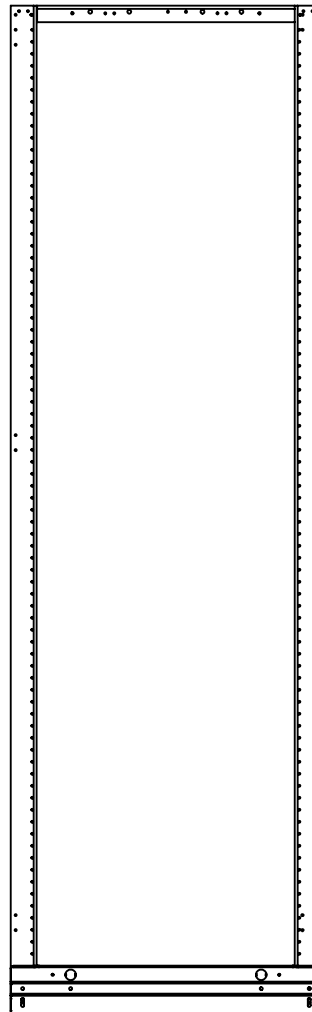
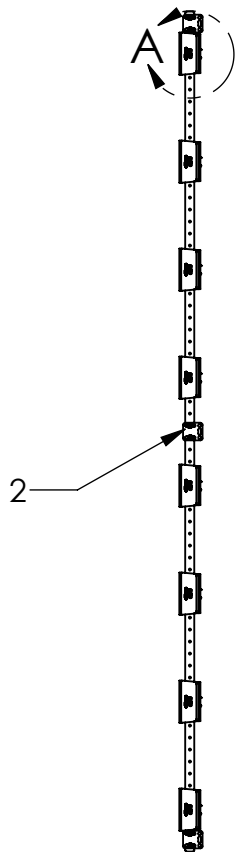
### EEB CCM SIZE, MAX CABLE CAPACITY & ORIENTATION

NOTE: ALL DIMENSIONS ARE IN INCHES [MM]. THE CAPACITY IS FOR 1.6MM OD SIMPLEX JUMPERS. THE MAXIMUM NUMBER OF 2.0MM SIMPLEX JUMPERS IS 240 CABLES.

TOP VIEW EEB CCM



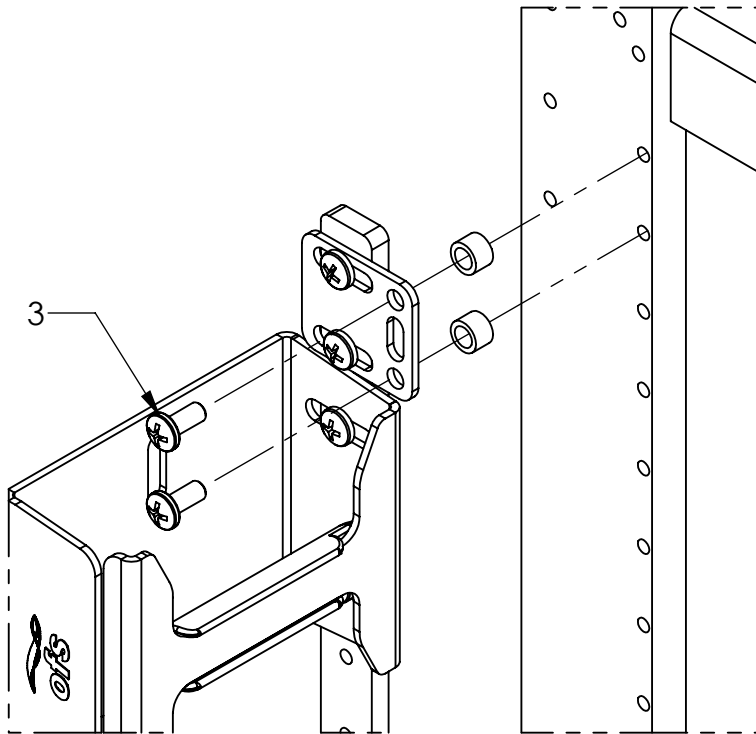
DETAIL A  
 SCALE 1 : 3



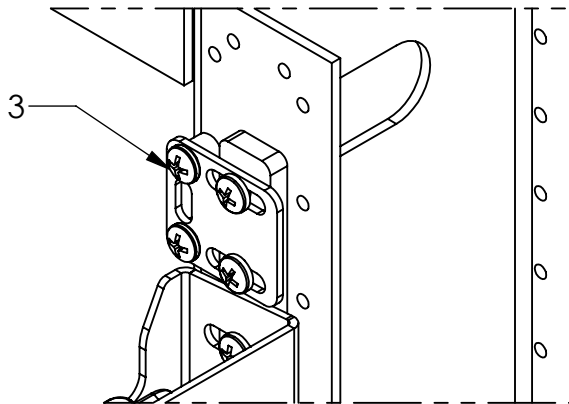
DETAIL B  
 SCALE 1 : 3

2. ORIENT THE EEB CCM AS SHOWN ABOVE FOR LEFT AND RIGHT SIDE FRAME ATTACHMENT. THE LEFT EEB CCM IS ORIENTED SO THAT THE PLASTIC BEND LIMITERS ARE FACING RIGHT. THE RIGHT EEB CCM IS ORIENTED SO THAT THE PLASTIC BEND LIMITERS ARE FACING LEFT.

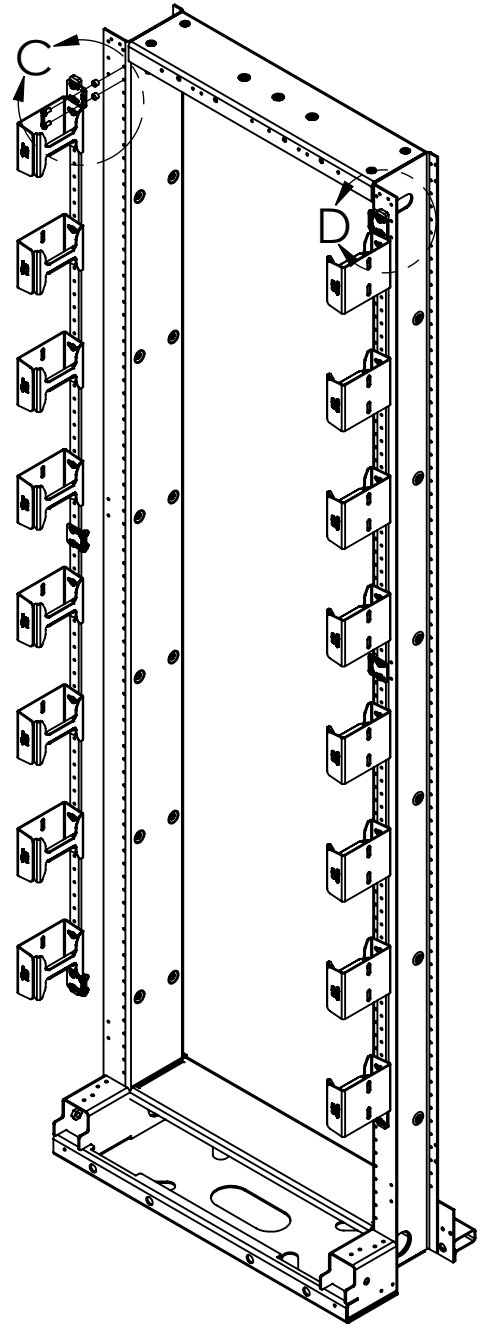
## LGX/WECO FRAME ATTACHMENT



DETAIL C  
SCALE 1 : 3



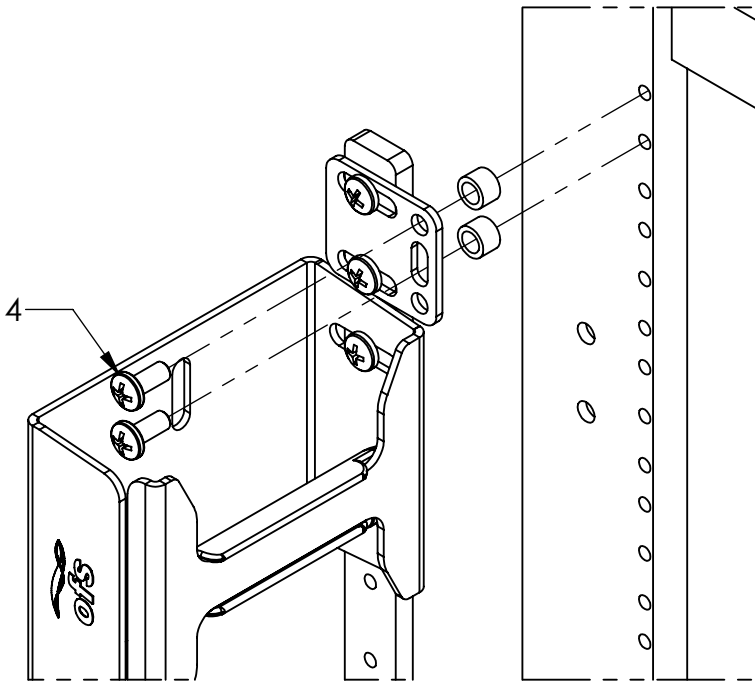
DETAIL D  
SCALE 1 : 2



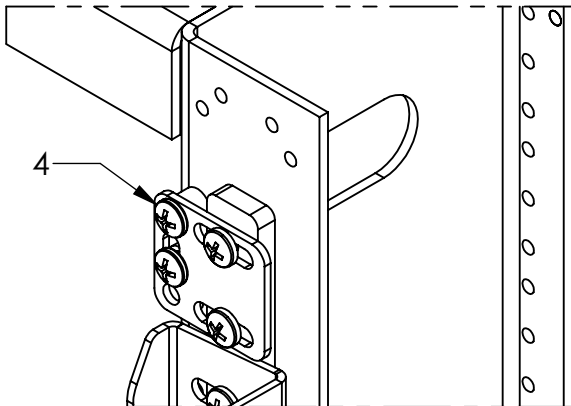
3. THE EEB CCM ATTACHES TO THE LGX/WECO FRAME USING (2) 12-24 X 3/4 SCREWS AND (2) SPACERS AT EACH OF THE (6) ATTACHMENT POINTS SPACED AS SHOWN. EXTRA MOUNTING HARDWARE IS PROVIDED IF ADDITIONAL ATTACHMENT POINTS ARE REQUIRED.

**CAUTION: MAKE SURE THE 3/4" LONG SCREWS ARE USED WITH THE PLASTIC SPACERS TO SECURE CCM VERTICAL BEAM ONTO THE FRAME. THE 3/8" LONG SCREWS ARE USED TO SECURE CCM FLAT MOUNTING PLATES TO THE CCM VERTICAL BEAM. REVERSING THE USAGE OF THE 3/8" AND 3/4" SCREWS WILL RESULT IN IMPROPER INSTALLATION.**

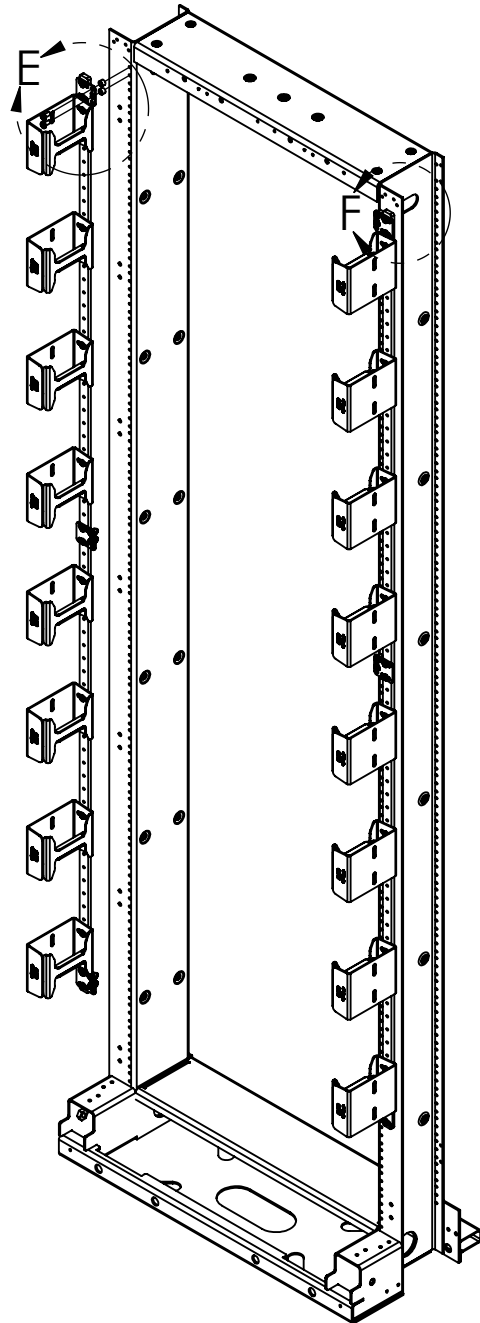
### ETSI FRAME ATTACHMENT



DETAIL E  
SCALE 1 : 2



DETAIL F  
SCALE 1 : 2



4. THE EEB CCM ATTACHES TO THE ETSI FRAME USING (2) 12-24 X 3/4 SCREWS AND (2) SPACERS AT EACH OF THE (6) ATTACHMENT POINTS SPACED AS SHOWN. EXTRA MOUNTING HARDWARE IS PROVIDED IF ADDITIONAL ATTACHMENT POINTS ARE REQUIRED.

**CAUTION: MAKE SURE THE 3/4" LONG SCREWS ARE USED WITH THE PLASTIC SPACERS TO SECURE CCM VERTICAL BEAM ONTO THE FRAME. THE 3/8" LONG SCREWS ARE USED TO SECURE CCM FLAT MOUNTING PLATES TO THE CCM VERTICAL BEAM. REVERSING THE USAGE OF THE 3/8" AND 3/4" SCREWS WILL RESULT IN INPROPER INSTALLATION.**